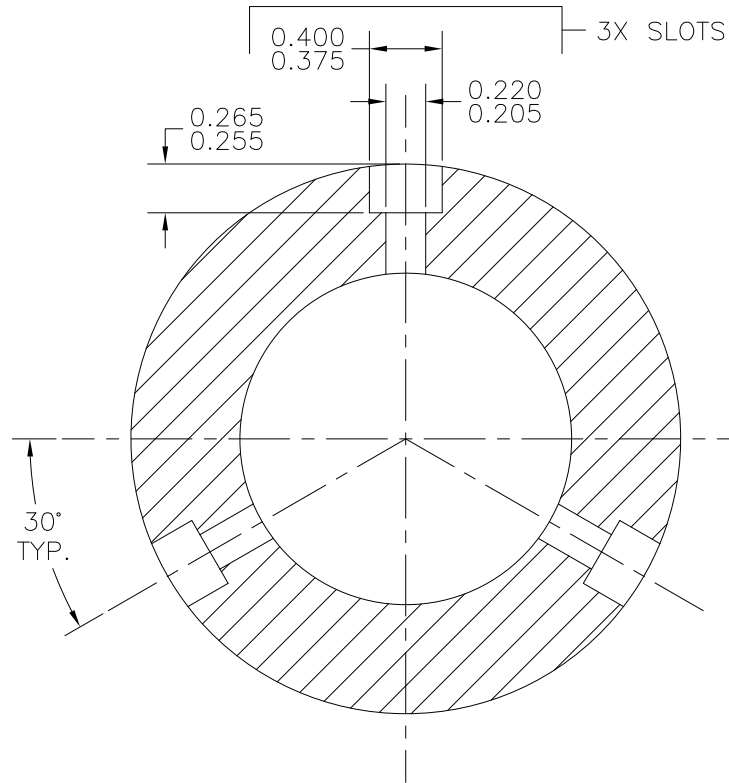
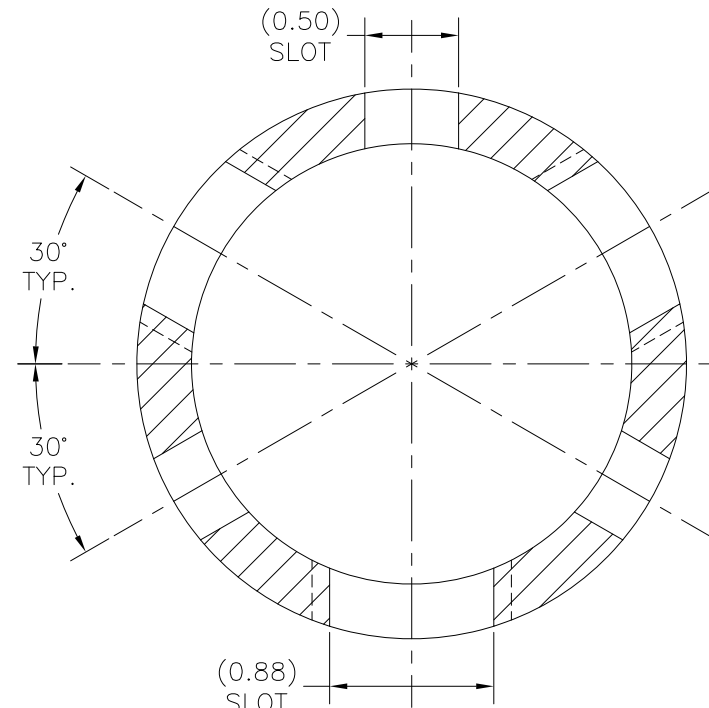


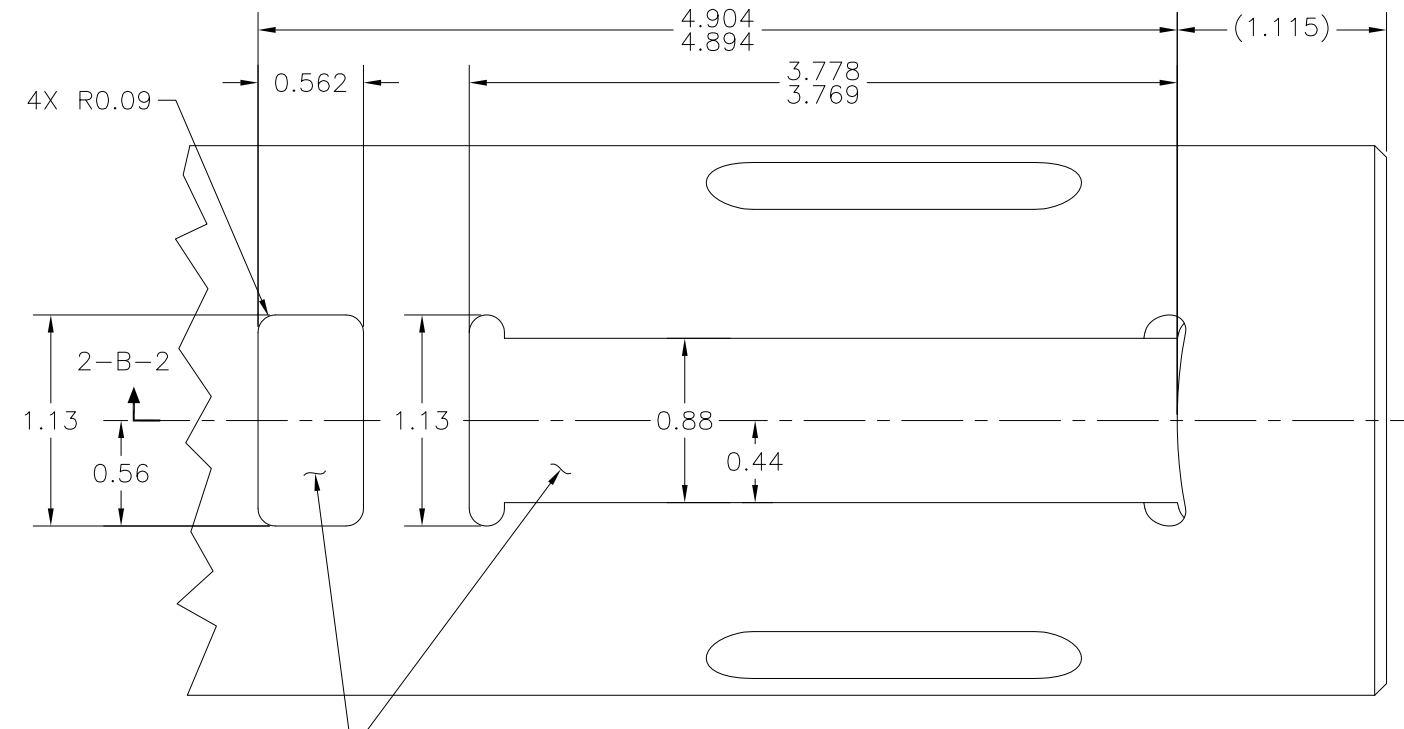
REVISIONS				
NO	DESCRIPTION	DATE	BY	APR/DATE
0	ISSUED FOR MANUFACTURE	05/12/10		



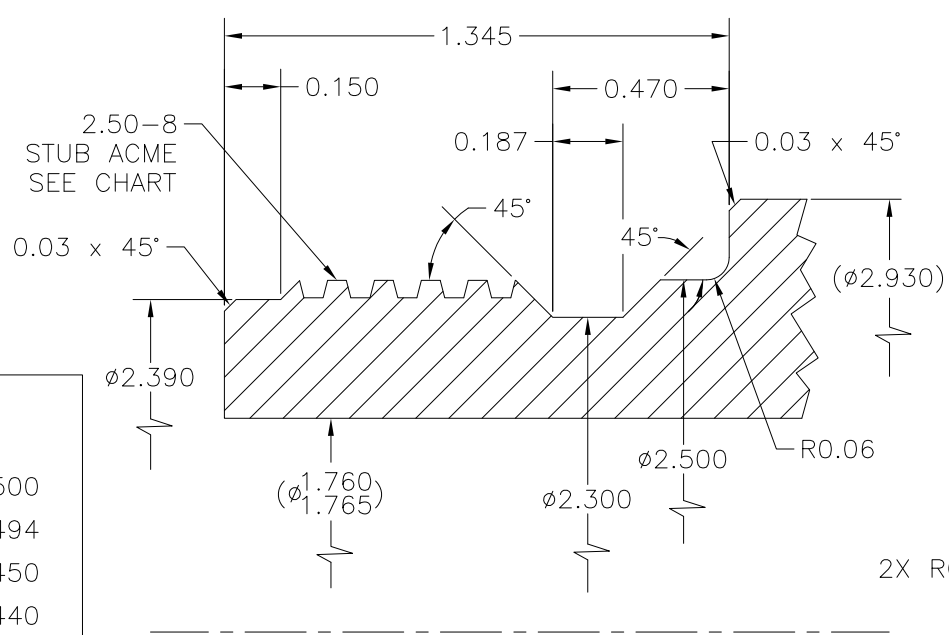
SECTION 2-D-7
REF. 1-C-5



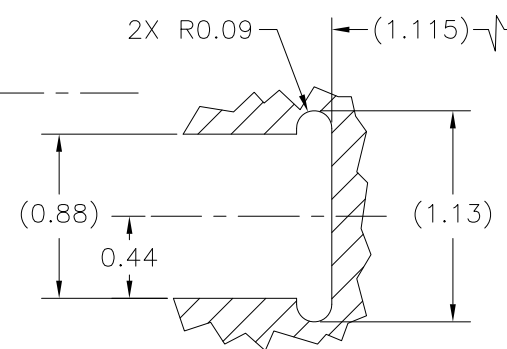
SECTION 2-D-5
REF. 1-D-2



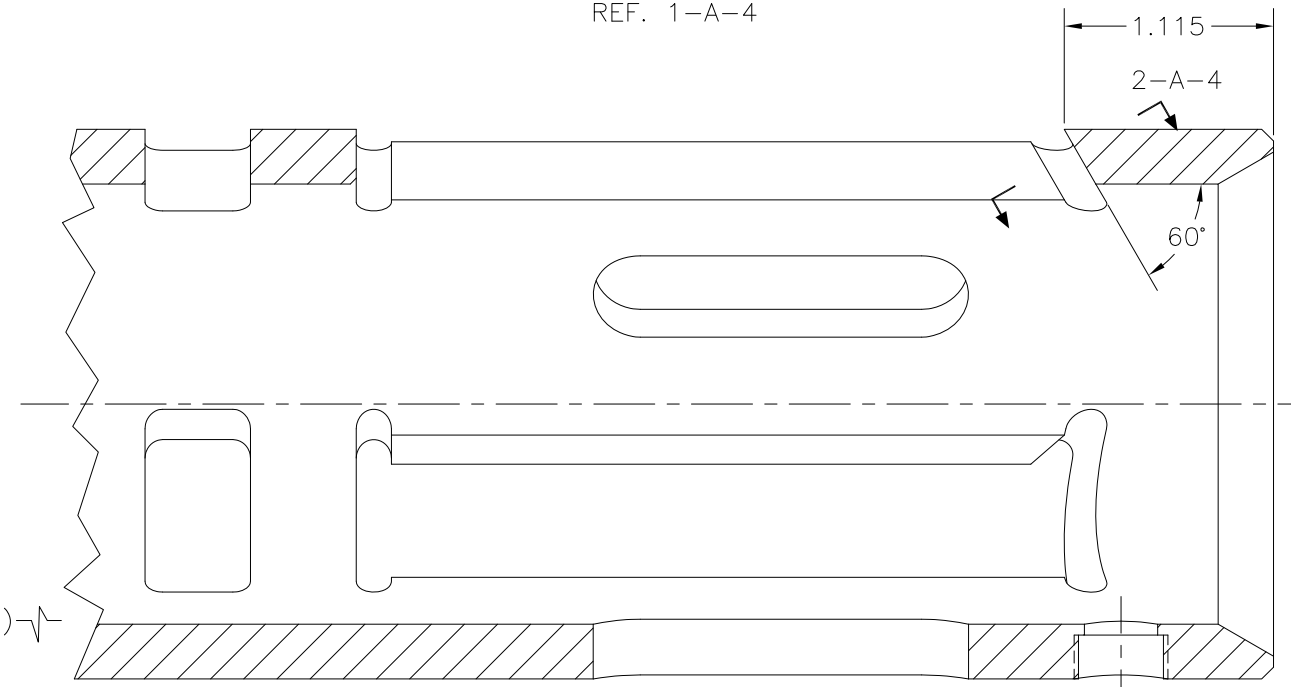
BOTTOM VIEW 2-D-2
REF. 1-A-4



DETAIL 2-B-6
REF. 1-B-6



SECTION 2-A-4
REF. 1-C-1



SECTION 2-B-2
REF. 2-C-4

2.50-8 STUB ACME THREAD EXTERNAL	
MAJOR DIAMETER, MAX.	- 2.500
MAJOR DIAMETER, MIN.	- 2.494
PITCH DIAMETER, MAX.	- 2.450
PITCH DIAMETER, MIN.	- 2.440
MINOR DIAMETER, MAX.	- 2.405
MINOR DIAMETER, MIN.	- 2.395
BASIC THREAD HEIGHT	- 0.038
BASIC WIDTH OF CREST	- 0.050
THREAD PITCH	- 0.125
WIRE SIZE	- 0.063
OVER WIRE DIAMETER MAX.	- 2.523
OVER WIRE DIAMETER MIN.	- 2.513

TOLERANCES: UNLESS OTHERWISE SPECIFIED 0.X ± 0.030 0.XX ± 0.010 0.XXX ± 0.005 ANGLES ± 1/2° BREAK EDGES 0.015 x 45° MIN. FINISH 125/ [0.010]A	PROPRIETARY NOTICE THIS DRAWING AND THE INFORMATION IT CONTAINS ARE CONSIDERED CONFIDENTIAL, AND MAY NOT BE REPRODUCED, COPIED OR USED, IN PART OR IN WHOLE, WITHOUT PRIOR WRITTEN CONSENT.	Integrated Ocean Drilling Program TEXAS A&M UNIVERSITY 1000 DISCOVERY DRIVE COLLEGE STATION, TX 77845
ALL DIMS ARE IN INCHES, UNLESS NOTED OTHERWISE.	SHEET 2 OF 2 SCALE 1:2 BY KM DATE 04/01/10	TITLE ERS SKIRT SYSTEM ASSEMBLY 3 ERS P/N ERS-017 REV. 0
	APPROVED TP CHECKED JCS	